

KAPPA-80



SPECIFICATIONS

ACOUSTIC & ELECTRICAL SPECIFICATIONS:

- * Nominal Impedance: 6-8 ohm
- * Recommended Amp Power: 25-250 W
- * Frequency Response: 40 Hz - 35 kHz (± 2 dB)
- * Sensitivity: 89 dB / 2,8V / 1 m
- * Crossover frequency: 300 HZ / 3,5 KHZ

SYSTEM COMPONENTS:

- * Cabinet: CLKAPPA80 (Not for sale)
- * Grille: GLKAPPA80 (2408690)
- * Grille: GLKAPPA80 (2408692)
- * Woofer: HT210IY6 210mm Woofer
38mm voice coil
11,6 ohm
- * Midrange: M11MG-09-04 115mm Midrange
25mm voice coil

SYSTEM COMPONENTS: (cont'd)

- DC Resistance: 3,4 ohm
- * Tweeter: EMIT-R
- DC Resistance: 3,4 ohm
- * Crossover Network: NKAPPA80 (2708690)
- * Crossover Network: NKAPPA80 (2708691)

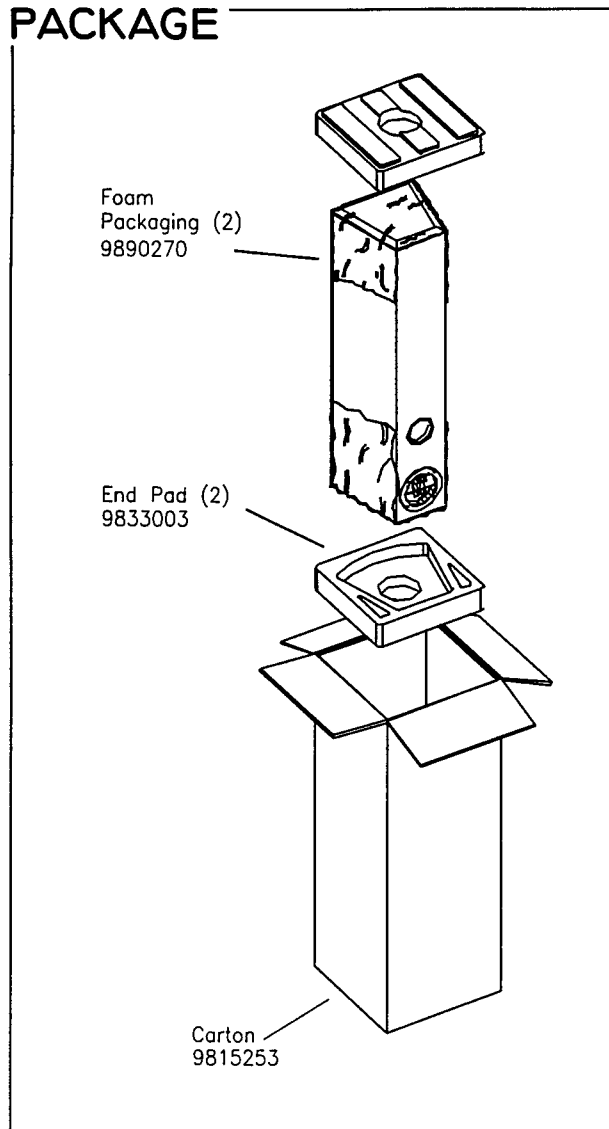
PHYSICAL SPECIFICATIONS:

- * Enclosure Dimensions (H.W.D): 42,5x13,3x12,9 In. D
(1080x340x330mm D)
- * Shipping Weight: 77 lbs. (35 kg.)

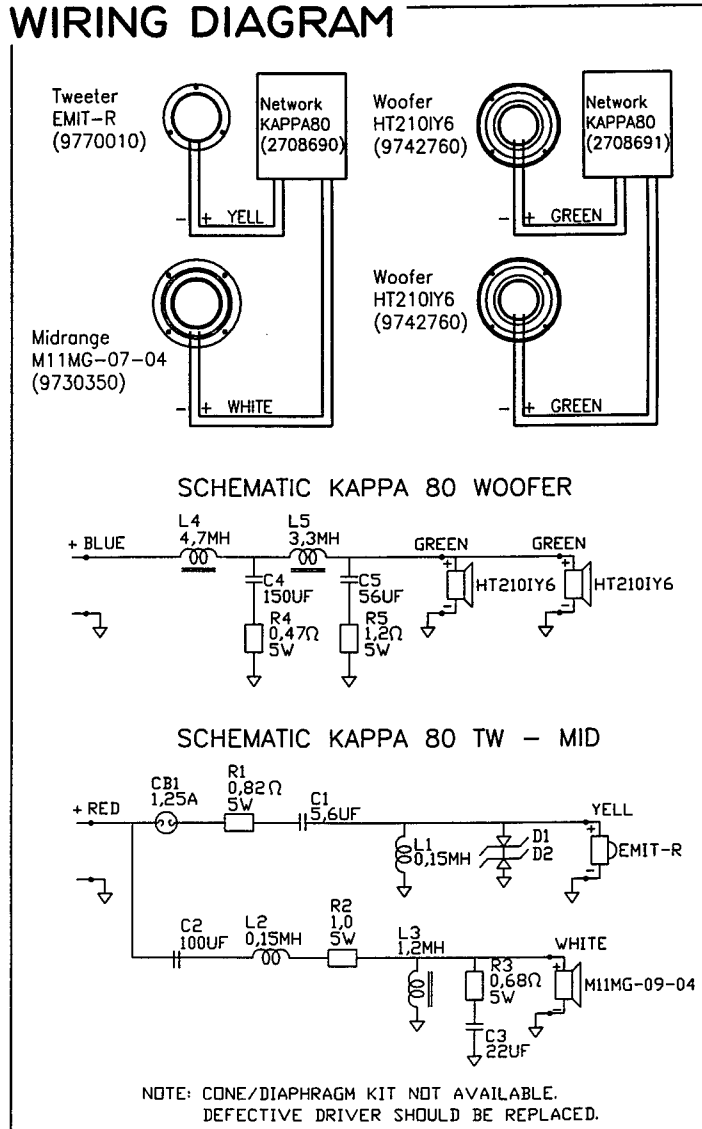
WARRANTY INFORMATION:

- * Refer to the Warranty Statement packed with each product

PACKAGE



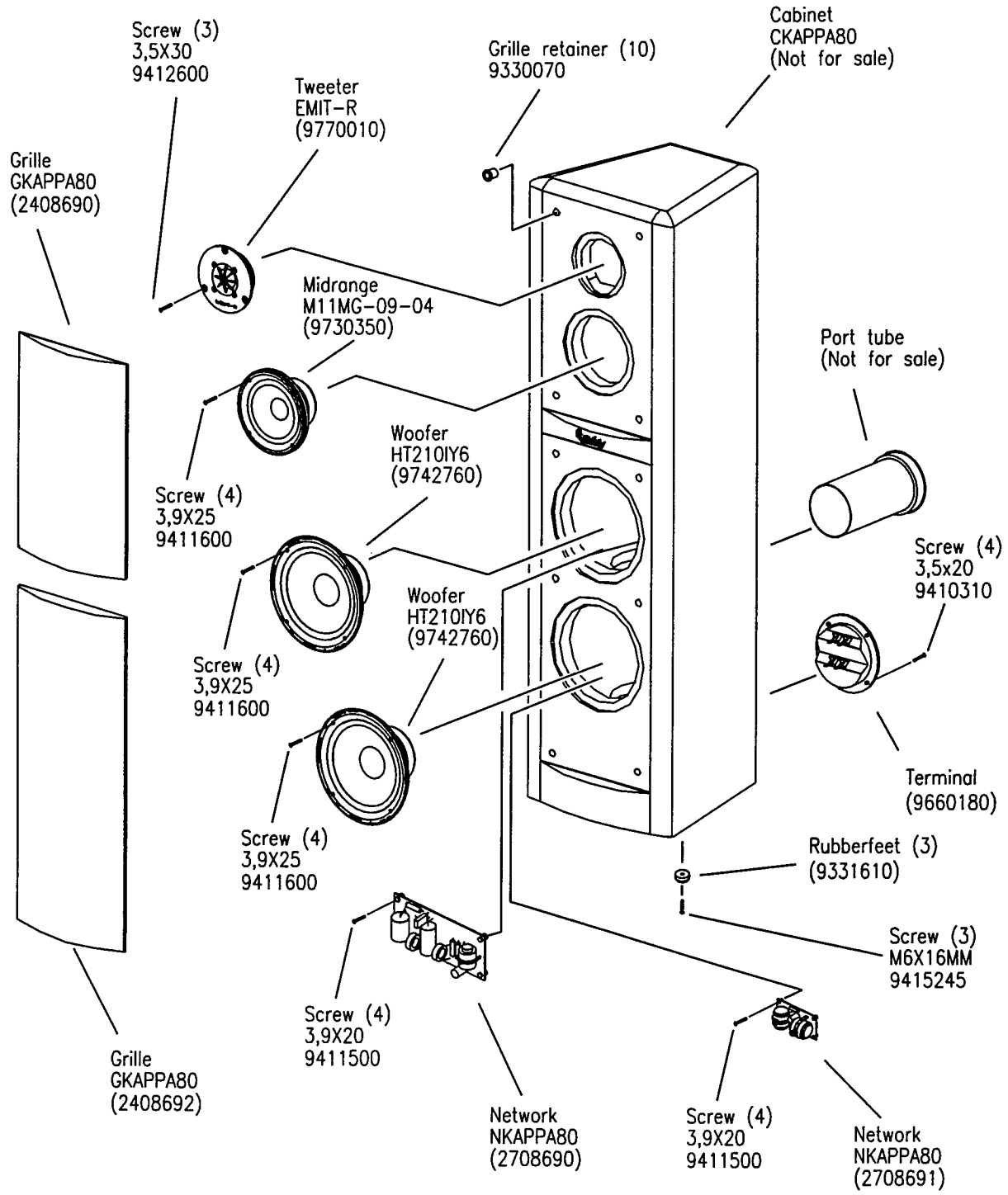
WIRING DIAGRAM



KAPPA-80

KAPPA-80

COMPONENT EXPLODED VIEW



KAPPA-80